

GRD

Device for Acquisition and Remote Control, with GSM/GPRS Cellular communication



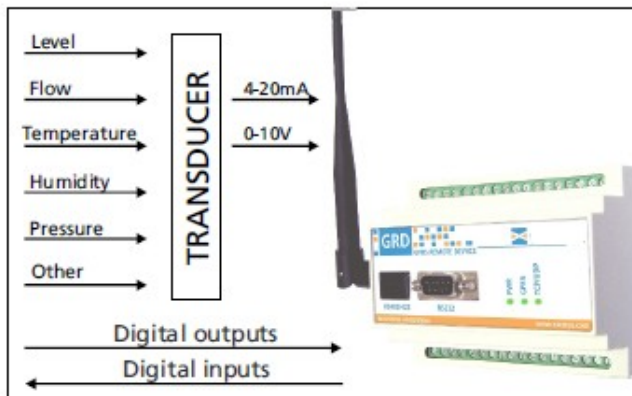
The GRD family of products, allow distant control and supervision by means of data cellular communication, of any type of machine, control or process system, facilitating the implementation of Remote Telemetry systems

Using the GRD family of products you will be able to acquire information from different sensors, transducers, contacts or including data from a serial port, and then transmit this information to a Control or Telemetry system.

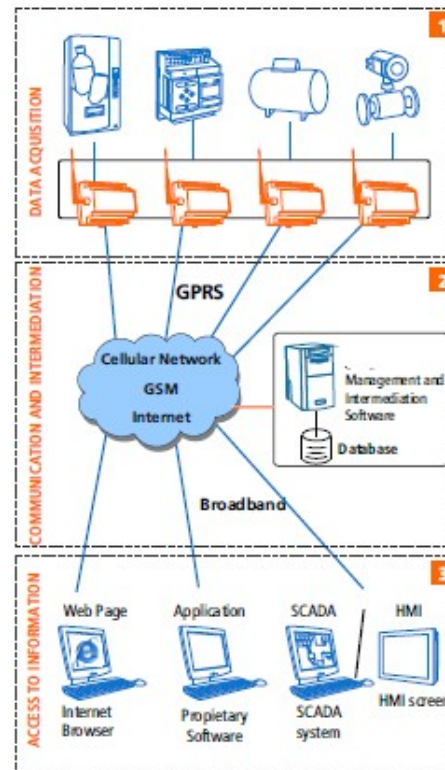
Together with Exemys Middleware software, a powerful tool is obtained for the implementation of Remote Telemetry systems in real time.

CHARACTERISTICS

- Digital Inputs and Outputs, (Opto-isolated, Relay or Transistor).
- Analog inputs for sensors, acquisition devices or Transducers.
- Transparent encapsulation of serial communication protocols.
- TCP/IP communication over a GPRS data network.
- Optimization of use of the cellular network.



EXAMPLE



SPECIFICATIONS

- **Protocols:** GPRS, SMS, TCP / IP.

- **Serial Port:** RS232 / RS485 Transparent encapsulation of Protocols

- **Supported Devices:** Any device with RS232/485 Serial port.

- **Digital Inputs:** Transistor / Opto-isolated. Up to 16 Inputs

- **Digital Outputs:** Transistor / Relay. Up to 14 Outputs

- **Analog Inputs:** 0-10Vdc / 4-20mA. Up to 6 Inputs

- **Events Log:** Non-volatile memory and real time clock, for event logging

- **Management:** Serial or by network through "Middleware" Software.

- **GSM Bands:** 850/1900 / 900/1800 MHZ

- **GPRS:** Multi-slot class 8. Coding Scheme CS1-CS4

- **SIM:** Supports SIM's from all providers

- **Indicators:** Status LED.
Data/Link LED.
Power Supply LED.

- **Dimensions:** 150 x90 x 65 mm (AxAxP).

- **Power Supply:** 10 a 30 Volts DC.

- **Temperature:** Operational temperature: -5 to 65o C.

- **Warranty:** 1 year warranty

AVAILABLE FAMILIES

| FAMILY | SERIAL PORT | DISCRETE INPUTS AND OUTPUTS | ANALOG INPUTS | TYPE OF INPUT |
|---------|-------------|-----------------------------|---------------|---------------|
| GRD1000 | RS 232/485 | --- | --- | --- |
| GRD2001 | RS 232/485 | 16/14 | --- | --- |
| GRD3002 | RS 232/485 | 16/6 | 6 | 6 x 0-10Vdc |
| GRD3003 | RS 232/485 | 16/6 | 6 | 6 x 4-20mA |

APPLICATIONS

- Remote Monitoring Systems
- PLC and SCADA Systems
- Industrial Automation
- Gas, Oil and Electric Power transport
- Tele-measurement and Telecontrol systems

